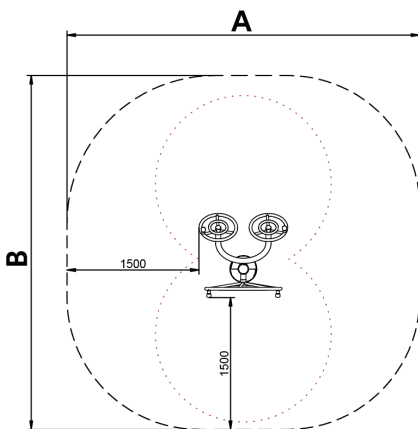


# Wheel AD

JSA005D

14+

Certified  
EN16630  
product



**BENITO's healthy elements** allow older people and adults to practice sports in both public and private spaces, allowing people to increase their well-being and quality of life, promoting health and social relationships.

- **Health functions**, cardiovascular and respiratory improvement, muscle strengthening, agility, flexibility and coordination of movements.

- **Social functions**, creation of leisure activities, promoting social integration, and greater recreational use of public spaces.

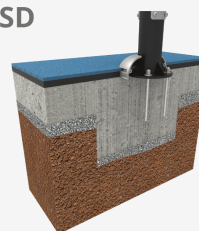
A x B



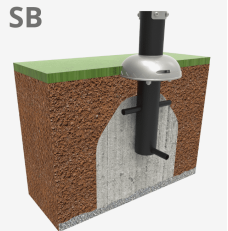
A=4010mm 14.10m<sup>2</sup> -m 2

B=4027mm

SD



SB



## Materials:

**Benefits :** Improves mobility of the upper limbs. Improves overall flexibility of the shoulder joints, collarbones, elbows and wrists.

## Instructions for use:

1. Grab the steering wheel handles with both hands and then turn them simultaneously clockwise and counterclockwise.
2. Grab the steering wheel handles with both hands and turn the wheels back and forth.

**Structure, Metal:** Galvanized and oven-painted S235 steel tube. Its dimensions are  $\varnothing 114\text{mm} \times 2.5\text{mm}$  thick. Moving parts and connecting tubes:  $\varnothing 60\text{mm} / \varnothing 48\text{mm} \times 2\text{mm}$  thick.  $\varnothing 38\text{mm} / \varnothing 32\text{mm} \times 2\text{mm}$  thick. Paint: 1 coat of powder coating made from a mixture of polyester resins, hardeners and pigments, lead-free and highly resistant to weathering. Color combination: Matt black and metallic grey RAL9006

AISI304 stainless steel screws

**Handles :** Thermoplastic rubber

**Seats/Trims:** Rotomolded HDPE with a thickness of 6-10mm.

**Pedals/Pegs:** PP

- None of the materials require special treatment for disposal.
- If the equipment is subject to severe use, the maintenance schedule should be increased.
- Do not use the product before completing installation/maintenance.
- See maintenance instructions.

Largest piece (mm): 1010x1030x1390 / Heaviest piece (kg): 43

**IMPACT ZONE:** Required safety surface. Floor covering according to EN16630:2015 is recommended.

Spare parts availability: 10 years

Ground anchoring screws not included.

## Playful features:



## Alternatives:



JSA019D



JSA018D



JSA003D



JSA009D