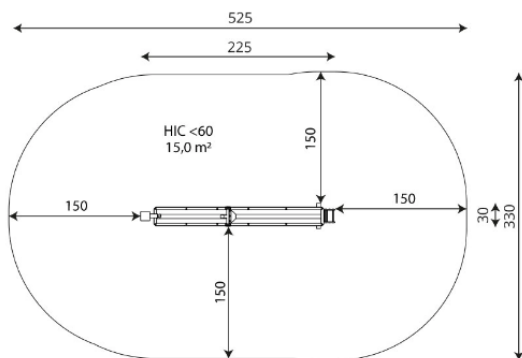


Hidra 1

JHID01

1+

Certified
EN1176
product



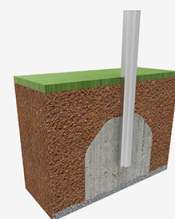
A x B



A=5250mm 15m² 0.60m 3

B=3300mm

SB



Materials:

Structure, Metal: Stainless steel AISI304.

Complements, Polycarbonate: Gutter, tanks made of stainless steel, protected from the top with transparent polycarbonate. Water Mill wheel made of stainless steel and polycarbonate.

Plugs for gutters, Rubber: Made of rubber, HDPE and stainless steel

Tap: Made of surgical stainless steel AISI 316, intended for connection to the public water supply network

Fixings: Fixings electro galvanized and stainless steel 8.8 DIN267, AISI-304.

- None of the materials requires a specific treatment for its disposal.
- If the product is subject to severe use, maintenance should be increased.
- Don't use the product before the installation/maintenance is ready.
- Please check the maintenance instructions.

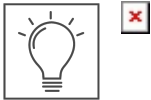
Biggest part (mm): / Heaviest part (kg):

IMPACT ZONE: security area and ground coverings according to the EN1176-1:2017 standard.

Spare parts availability: 10 years.

Ground anchoring screws not included.

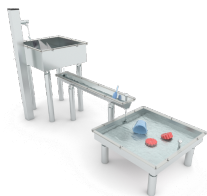
Playful features:



Alternatives:



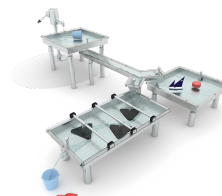
JHID02



JHID03



JHID04



JHID05