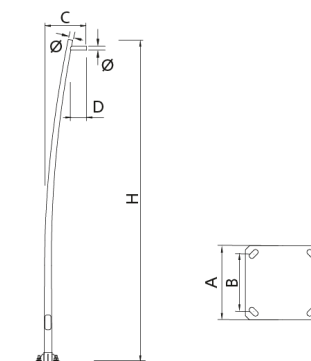





Large-radius truncated conical Pole , manufactured in a single piece from hot-dip galvanized S-235 JR steel. Total Pole height: 5 to 11 meters, with a Ø60 lateral fixing fitting. The base incorporates a reinforcing ring and 4 gussets, providing greater rigidity and stability. Continuous large-radius design with integrated, which provides a technical and discreet presence in the space.

Optional:

- For heights of 9 and 11 m, double is available at different heights.
- Anti-urine treatment at the base.
- Painted finish with a 2m base section finished in micro-textured black and the rest of the shaft in RAL9006 grey. Other RAL paint finishes are available to choose from.



Ref.	H	C	D	Ø	A	B	
ICTER50	5000	600	-	60	300	200	M18x500
ICTER70	7000	820	-	60	400	300	M18x500
ICTER90	9000	1050	-	60	400	300	M18x500
ICTER110	11000	1280	-	60	400	300	M18x500



ALFUM



ALI