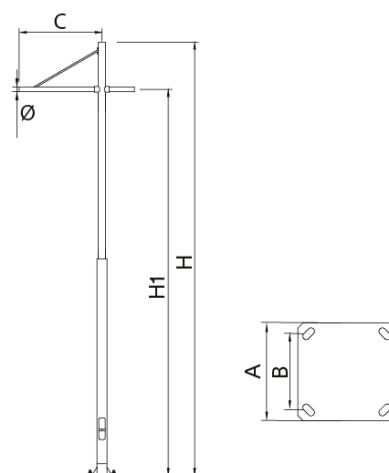
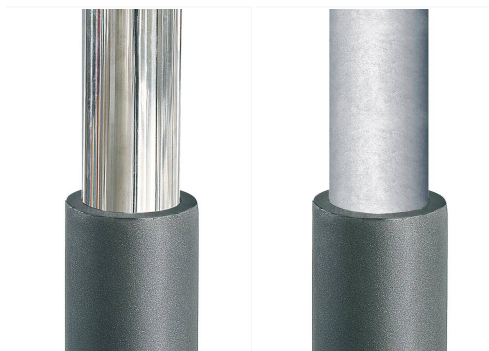








Telescopic Pole with cylindrical base made of galvanized steel S-235 JR with standard micro-textured black finish. Cylindrical shaft with Integrated with a hot-dip galvanized steel suspended tie rod, with single and double options at the same and different heights. Total height of the Pole : 6 to 9 meters, with a termination in Side diameter 60 mm. The base incorporates a reinforcing ring and 4 gussets, which provide greater rigidity and stability. Minimalist twin-cylinder design with and integrated guy wire, ideal for urban lighting and which brings a contemporary and defined presence to the public space.

Optional:

- Shaft and in polished stainless steel.
- Anti-urine treatment at the base.



Ref.	H	H1	C	Ø	A	B				
ICST60	6000	5350	1400	60	400	300	M18x500	x	x	-
ICST90	9000	8000	1400	60	400	300	M18x500	x	x	x



ALFUM



ALI