

ICCL+APM

Pole

TEKNO



Pole made of S-235-JR hot-dip galvanised steel available in two formats: *Height up to 8 m for TOP mounting of the luminaire with Ø60 mm; *10 and 12 m cylindrical ones are only and exclusively designed for the installation of circular floodlights with outer equipment (can be housed in the 3 service doors available)

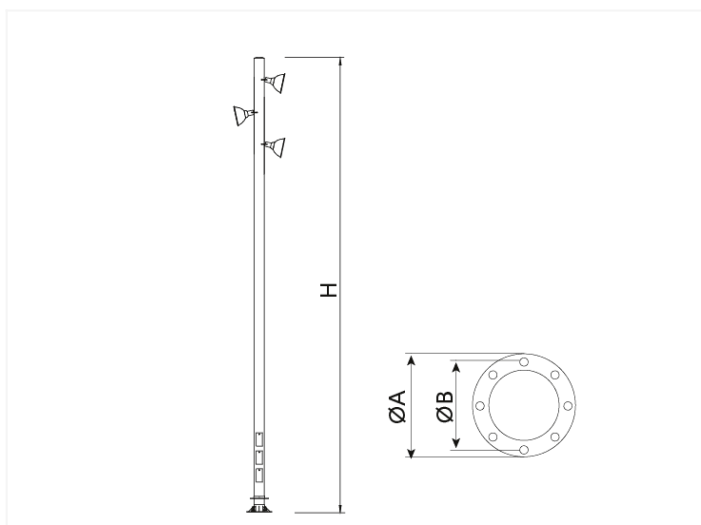
MAIN FEATURES:

APPLICATIONS:

SPECIFICATIONS :

Housing material:	
Diffuser (optic system enclosure):	
Fixing elements:	
Housing:	
Sealing gaskets:	
IP rating (luminaire):	
IP rating (optic system):	
IK rating (impact resistance):	
LEDs thermal dissipation:	
Anti-condensation valve:	
Paint and finishes:	
Colour:	
Mounting:	
Tilt range:	
Maintenance:	
Recommended mounting height:	
Driver:	
Flow Reduction:	
Ready4IOT - Connectivity:	
Surge protection device (SPD):	
DarkSky Approved	

DRAWING:



TECHNICAL DATA:

REF.

Nº LEDs

Power W

I Driver
mA

Real luminous flux (T) =85°C

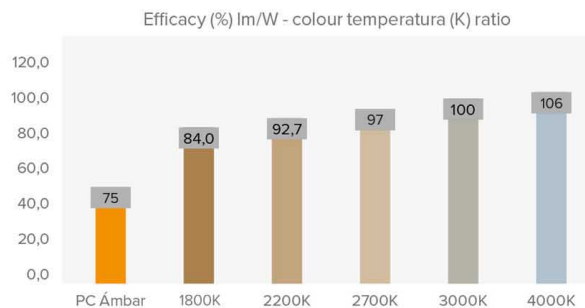
Flux lm

Efficacy lm/W

Initial luminous flux (T)
=25°C

Flux lm

Efficacy lm/W



PHOTOMETRY:

LEDs MODULE:

LEDs module:
Replaceable module:
LED:
Number of LEDs:
PCBs format:
LED nominal efficacy:
Colour temperature:
Colour rendering index CRI:
Average LED useful time L90B10:

OPTIC SPECIFICATIONS:

Optic system:
Light distributions:
Upward light output ratio ULOR:
Downward light output ratio DLOR:
Glare index:
Luminous intensity category:
Luminous flux CIE n°3:
Photobiological safety:
Initial luminous flux $T_j=25^\circ\text{C}$ (up to):
Initial luminaire efficacy $T_j=25^\circ\text{C}$ (up to):
Real luminous flux $T_j=85^\circ\text{C}$ (UNE EN 13032-4) (up to):
Real luminaire efficacy $T_j=85^\circ\text{C}$ (UNE EN 13032-4) (up to):

ELECTRIC SPECIFICATIONS:

Nominal maximum power (LEDs):
Maximum power consumed (luminaire):
Power range:
Maximum current of LED:
Power supply protection classes IEC:
Surge protection device (SPD):
Common and differential mode protection (SPD)
Udc:
Max current (8/20) (SPD):
Thermal phase disconnection (SPD):
Input voltage:
Input voltage (max rate):
Input frequency:
Starting current:
Duration of the starting voltage peak:
Driver efficacy:
Power factor 100% consumption:
Power factor 50% consumption:
Total harmonic distortion (THD):
Power consumption on standby mode:
Energy class:

OPERATING CONDITIONS:

Average LED useful time L90B10:
Average driver useful life to $T_p < 70^\circ\text{C}$:
Average luminaire useful life L90B10 (TM-21):
Ambient temperature (T_a):
Aerodynamic resistance ($C_x S$):
Vibration test (15Hz 3 axis):
Guarantee:

PACKAGING DIMENSIONS:

Net weight
Gross weight
Luminaire dimensions (LxWxH)
Packaging dimensions (LxWxH)
Pieces per box
Quantity per container 20ft
Quantity per container 40ft

CERTIFICATES:

Security certificates:
EMC certificates:
Other certifications:

Company Certifications

